

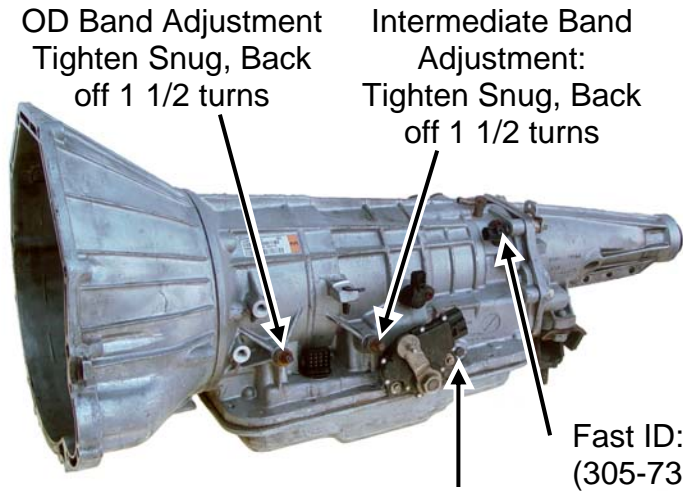
5R55E - General Reference Data

Trans Basic Operation:

This is a 5 speed unit with a torque converter clutch. All shifting, pressure rise, and TCC functions are electronically controlled by the computer through the use of valve body mounted solenoids.

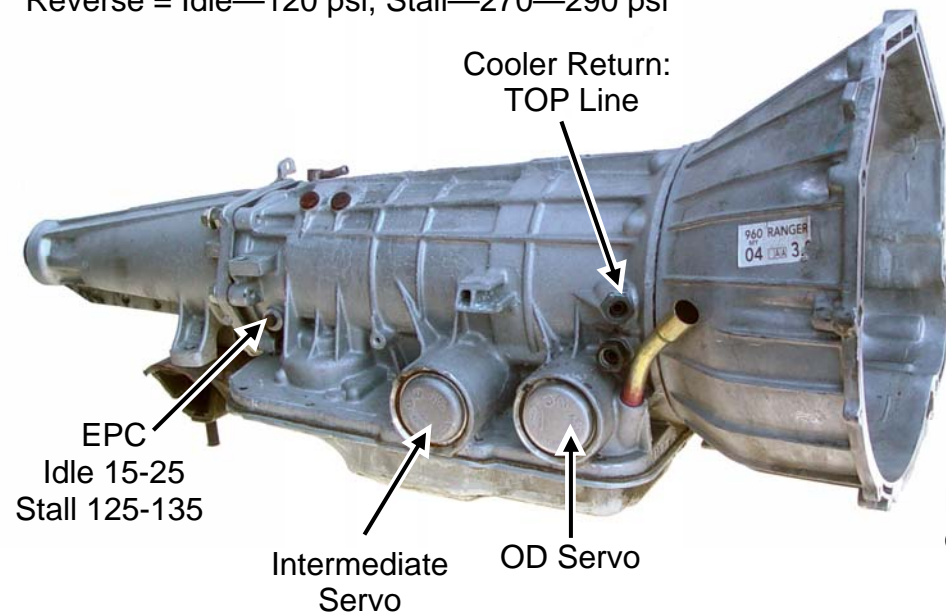
Some models skip 2nd gear at lighter throttle openings (1st,3rd,4th,5th) and only command 2nd at harder throttle openings.

The 5 speed units can be identified by the added output speed sensor (OSS) on top rear of trans.

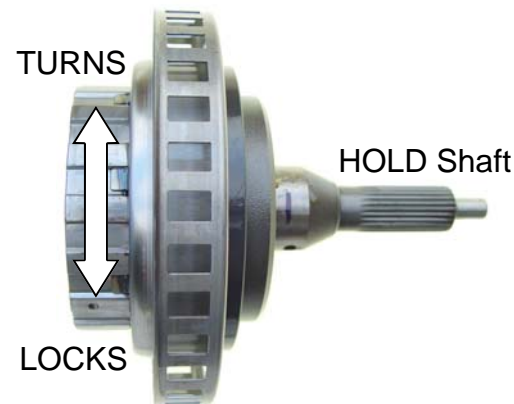


Fast ID: Has OSS speed sensor here = 5 speed (305-735 Ohms)

Line Pressure Test Port
 OD = Idle—60-65 psi, Stall—225—240 psi
 Reverse = Idle—120 psi, Stall—270—290 psi



Low Sprag = Freewheels clockwise looking into case



Clutch / Band / Solenoid Application Chart

	OD Sprag	Coast Clutch	OD Band	Forward Clutch	High Clutch	Intermediate Band	Low/Reverse Band	Low Sprag	SSA	SSB	SSC	SSD/ CCS	TCC
Park	Locked								On				
Reverse	Locked				Applied		Applied		On				
Neutral	Locked								On				
Overdrive (OD) 1st Speed	Locked			Applied				Locked	On				
Overdrive (OD) 2nd Speed			Applied	Applied				Locked	On		On		
Overdrive (OD) 3rd Speed	Locked			Applied		Applied			On	On			
Overdrive (OD) 4th Speed	Locked			Applied	Applied								On*
Overdrive (OD) 5th Speed			Applied	Applied	Applied						On		On*
Drive 1st Speed	Locked			Applied				Locked	On				
Drive 2nd Speed			Applied	Applied				Locked	On		On		
Drive 3rd Speed	Locked			Applied		Applied			On	On			
Drive 4th Speed	Locked	Applied		Applied	Applied								On On*
Manual 2 3rd Speed	Locked	Applied		Applied		Applied			On	On		On	
Manual Low (1)	Locked	Applied		Applied			Applied	Locked	On			On	

* PCM software dependant for TCC and Coast Clutch Function

Resistance Values	
EPC	3.1-5.7
SSA—SSD	22-48
TCC	8.9-16
TFT	16-37K @ 69-104F
TSS	64—126

Front of vehicle



Pin Locations



Pin	Case Connector Pin Function	Pin	Case Connector Pin Function
1	TCC Power	9	SSD / CCS Gnd
2	TSS Signal (+)	10	12V (+) Shift Solenoids
3	TSS Return (-)	11	EPC Power
4	TFT Signal (+)	12	EPC Gnd
5	TCC Gnd	13	
6		14	SSB Gnd
7	SSC Gnd	15	
8	TFT Return (-)	16	SSA Gnd